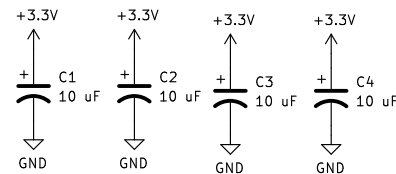
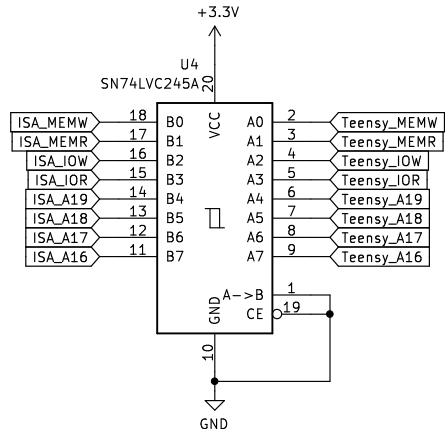
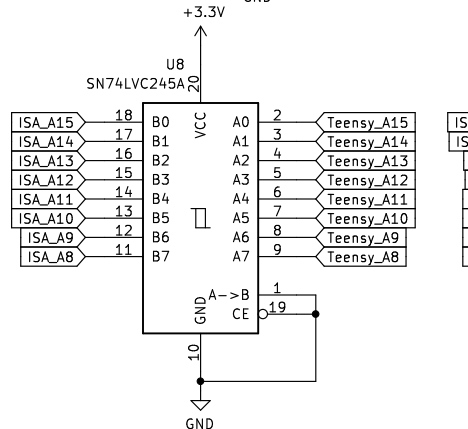
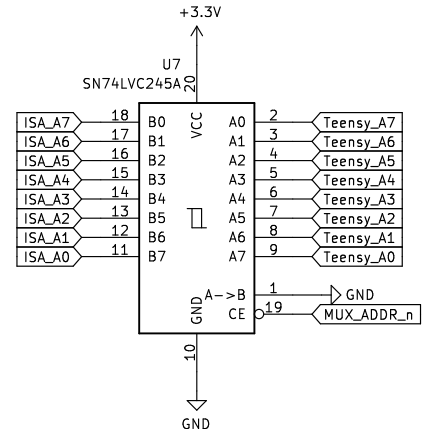
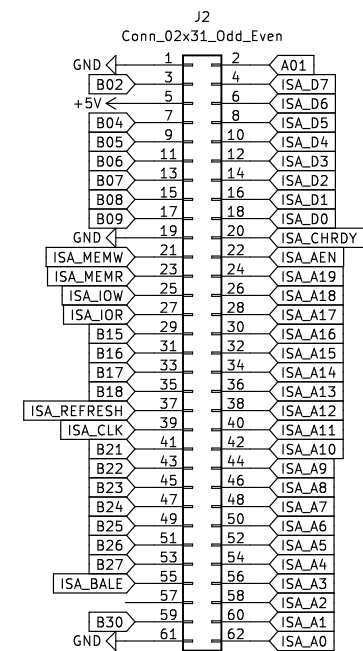
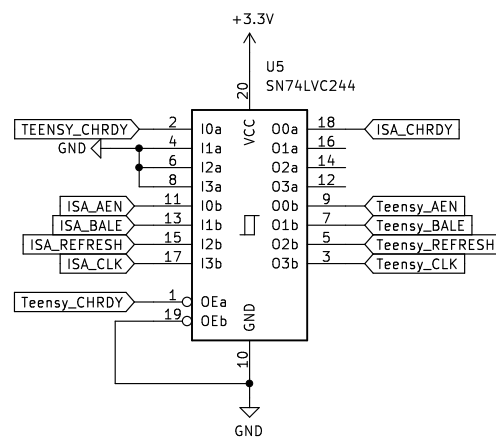
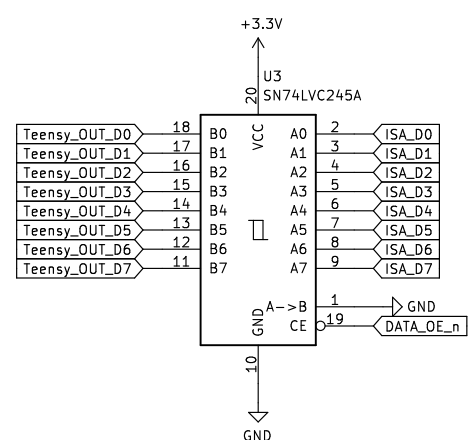
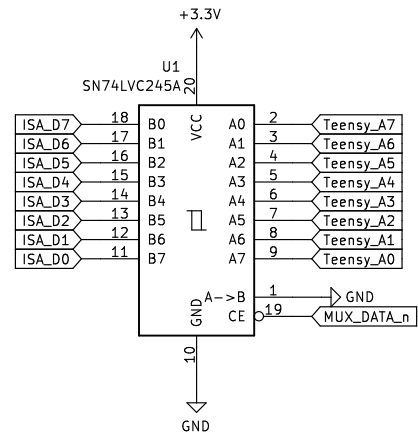
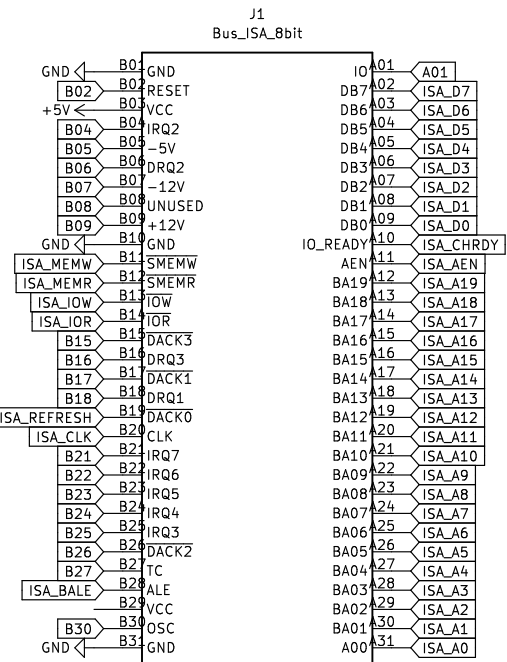
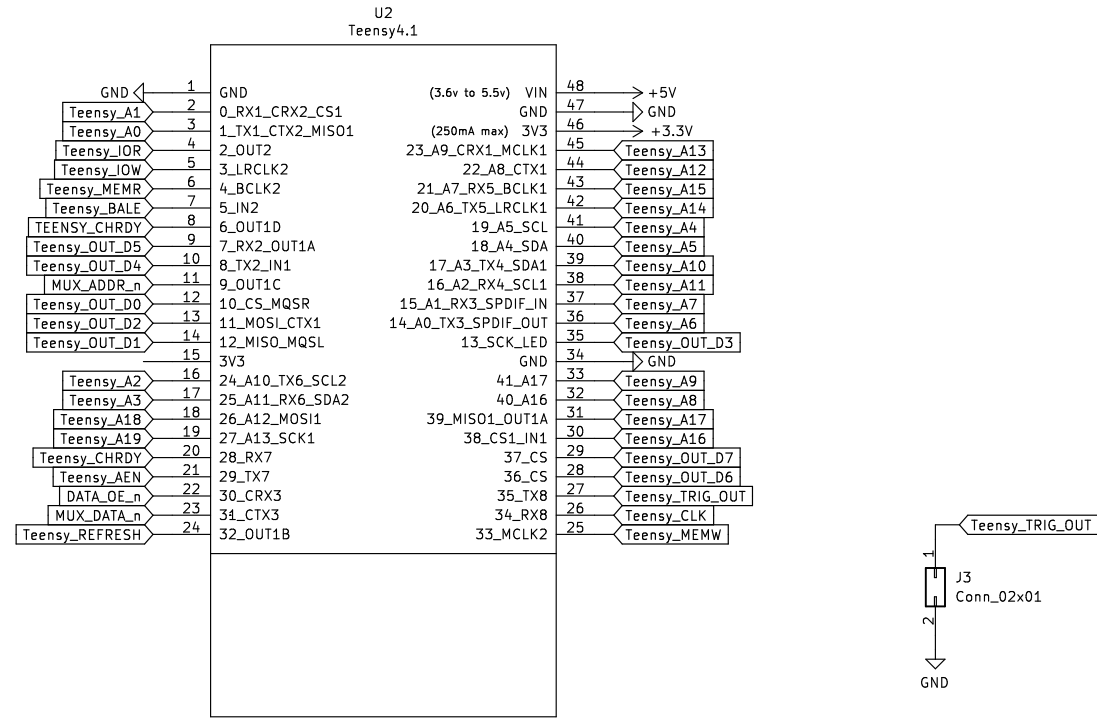


XtMax



Sheet: /
File: XTMAX_PCB.kicad_sch

Title:

Size: B Date:
KiCad E.D.A. kicad (6.0.5)

Rev:
Id: 1/1